

CX22D



MINI PELLES
Série D



Engine D1105

Engine power 15.4 kW - 20.9 hp

Operating weight with canopy 2090 kg

Operating weight with cab 2190 kg

SPECIFICATIONS

CX22D

ENGINE

Type _____ KUBOTA D1105 - STAGE 5
 Max. Power (2.400 rpm) (kW / hp) _____ 15.4 - 20.9
 Displacement (cm³) _____ 1105
 Number of cylinders (n°) _____ 3
 Cooling _____ Liquid
 Consumption (l/h) _____ 3
 Alternator (V) _____ 12 (40 A)
 Battery V (Ah) _____ 12 (62)

HYDRAULIC SYSTEM

Circuit Type _____ Load Sensing closed center system
 with "Flow Sharing" control valve
 Pump type _____ 1 LS variable pump + 1 gear pump
 Pump displacement (cm³) _____ 25 + 4.95
 Pump capacity (l/min) _____ 52 + 10.3
 Max. circuit calibration pressure (bar) _____ 240
 Auxiliary system (max pressure):
 AUX 1 single or double effect
 with priority (l/min) _____ 50 - 200 bar
 AUX 2 - optional (l/min) _____ 13/8 - 220 bar
 AUX 3 - optional (l/min) _____ 50 - 220 bar

SLEWING & TRAVEL SPEED

Travelling speed (km/h) _____ 1st : 0 ÷ 2.6 / 2nd : 0 ÷ 4.0
 Slew speed (rpm) _____ 10.5

CONTROLS

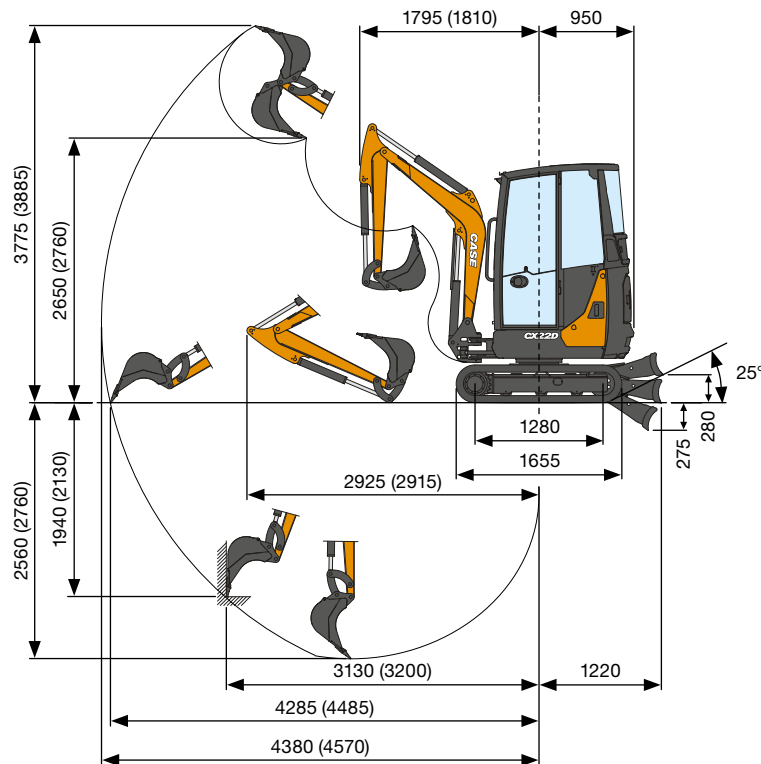
Boom, dipper stick, bucket and turret swing _____ 2 pilot joysticks
 Track movements _____ 2 pilot levers
 Dozer blade _____ pilot lever
 Priority auxiliary system with holding function
 AUX 1 (single or double effect) _____ electroproportional
 switch on right joystick
 Boom swing _____ electroproportional switch on left joystick

OPERATING WEIGHT

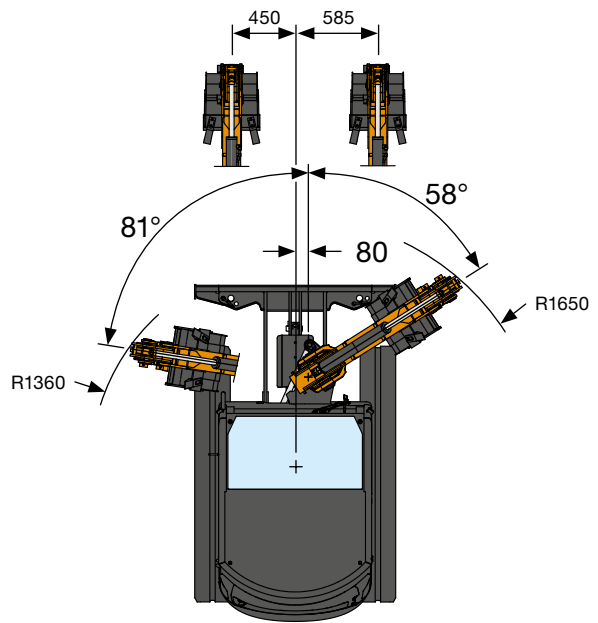
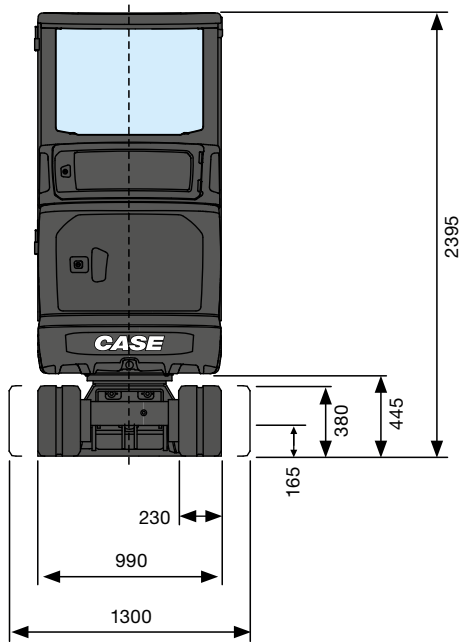
Operating weight with canopy* ISO 6016 (kg) _____ 2090
 Operating weight with cabin* ISO 6016 (kg) _____ 2190
 * with rubber tracks

CIRCUIT AND COMPONENT CAPACITIES

Fuel tank (l) _____ 20
 Hydraulic oil tank (l) _____ 16
 Hydraulic circuit capacity (l) _____ 25
 Cooling system capacity (l) _____ 4
 Engine oil (l) _____ 4.4



PERFORMANCE DATA		Std. Arm 1250 mm	Opt. Arm 1450 mm
Max. digging depth	mm	2560	2760
Max. dumping height	mm	2650	2760
Bucket breaking force	daN		1600
Arm breaking force ISO 6015	daN		1000
Traction force	daN		2200
Ground bearing pressure with rubber tracks and canopy (with cabin)	kg/cm ²		0.34 (0.35)
Max. slope			60% - 30°



GENERAL DIMENSIONS

Maximum width	mm	990 - 1300
Total height	mm	2395
Tracks width	mm	230
Rear rotation radius	mm	950
Digging arm length standard (optional)	mm	1250 (1450)
Rollers number (for each side)	n°	3

LIFTING CAPACITY

CX22D

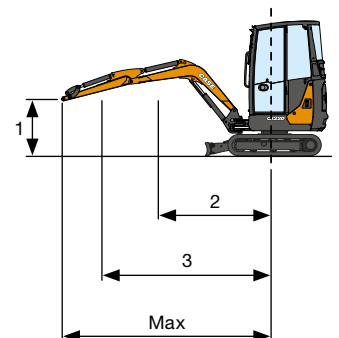
Opening arm from the rotation's center (m)
 Lifting capacity (kg) at 1.0 m height

LIFTING CAPACITY	2	3	Max
Frontal and lowered dozer blade	760*	480*	420*
Frontal and lifted dozer blade	760*	410	290
Lateral, open undercarriage	700	350	260

* Indicates the hydraulic load limit.

The lifting capacity is based on the ISO 10567 and it does not exceed more than the 75% of static tipping load or more than the 87% of the hydraulic lifting capacity of the machine.

Standard dipper stick L = 1250 mm
 (Optional dipper stick L = 1450 mm)



STANDARD AND OPTIONS

STANDARD EQUIPMENT

- + Tilttable Cab/Canopy (ROPS/TOPS - FOPS Level 1)
- + Windshield washer
- + Rear-view mirrors (left, right)
- + Fabric seat with Mechanical suspension (cab)
- + Vinyl seat with Mechanical suspension (canopy)
- + Standard arm
- + Boom Lift cylinder and dozer blade cylinder protection
- + Standard counterweight
- + Air Filter with drain valve and anti-clogging indicator
- + Servo-assisted hydraulic joysticks with Electro-Hydraulic proportional controls
- + Electro-Hydraulic proportional Swing control
- + 1st Auxiliary (AUX1) circuit with Electro-Hydraulic proportional control
- + AUX1 circuit maximum flow mechanical setting
- + Mechanical diverter between Single effect and Double effect AUX1
- + 2 speed travel with Automatic Shift Down (from 2nd to 1st gear if more traction is required) and Shift-up
- + Rubber tracks
- + Standard Dozer Blade
- + Extendable undercarriage
- + Operator manual
- + Ignition key, which opens every machine lock
- + Standard LED working lights (boom)
- + Battery disconnect switch
- + Variable Volume Pump
- + Standard Hydraulic oil and Lubricants

OPTIONAL EQUIPMENT

- + Air conditioning and Heating
- + DAB Radio, Bluetooth, USB, Memory card SD/SDHC, Aux-in (cab only)
- + Anti-Theft
- + Travel alarm
- + Long arm
- + AUX1 circuit maximum flow setting with potentiometer
- + 2nd Auxiliary (AUX2) circuit with Electro-Hydraulic proportional control and flow diverter from boom swing
- + Grapple provision (AUX3 with flow diverter from bucket cylinder)
- + Direct Drainage to tank
- + Block valves on dozer blade cylinder
- + Object handling kit (block valves on boom and arm, lifting hook and load chart)
- + Dozer Float
- + Extra LED working lights (cab-front and cab-rear)
- + Rotating beacon
- + Case Sitewatch
- + Bio Hydraulic oil and Lubricants
- + High Flow provision (i.e. for Mulcher)
- + Hydraulic quick coupler provision (Single or Double Effect)
- + Mechanical and Hydraulic quick couplers
- + Buckets

CASE AFTERMARKET SOLUTIONS

- + Superior Protection grid (FOPS Level 2)
- + Front Protection grid (Level 2)
- + Arm cylinder and bucket cylinder protection
- + Pattern change ISO-SAE
- + Vast variety of attachments
- + Full range of Mechanical and Hydraulic quick couplers
- + Full range of Buckets

CNH Industrial
Deutschland GmbH
Case Baumaschinen
Benzstr. 1-3 - D-74076 Heilbronn
DEUTSCHLAND

CNH Industrial
Maquinaria Spain, S.A.
Avenida Aragón 402
28022 Madrid - ESPAÑA

CNH Industrial France, S.A.
16-18 Rue des Rochettes
91150 Morigny-Champigny
FRANCE

CNH Industrial Italia Spa
via Plava, 80
10135 Torino
ITALIA

CASE Construction Equipment
Cranes Farm Rd
Basildon - SS14 3AD
UNITED KINGDOM

NOTE: Standard and optional fittings can vary according to the demands and specific regulations of each country. The illustrations may include optional rather than standard fittings - consult your Case dealer. Furthermore, CNH Industrial reserves the right to modify machine specifications without incurring any obligation relating to such changes.

Conforms to directive 2006/42/EC

CASECE.COM
00800-2273-7373

The call is free from a land line.
Check in advance with your Mobile Operator if you will be charged. Toll free number not available from all calling areas.